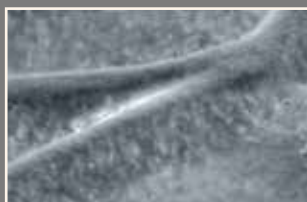
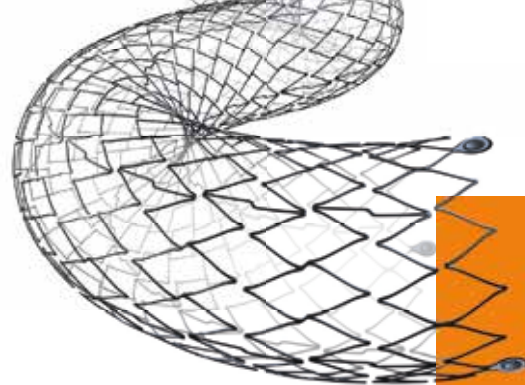


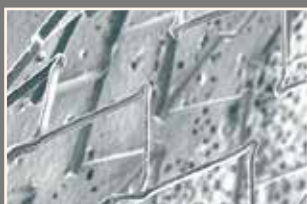
Easy HiFlype

NITINOL SELF EXPANDING STENT FOR ILIAC VESSELS

Easy HiFlype is a dedicated self expanding stent with hybrid cell design maximizing radial force and precision for iliac vessels.



- Proven bio and haemo-compatibility enabled by the Bio Inducer Surface coating, accelerating strut coverage, reducing thrombogenicity and sealing against heavy metal ions release



- Uniform radial force and excellent scaffolding with a unique hybridcell architecture



- Superior track and high precision upon stent release provided by a unique single-hand delivery system

TECHNICAL DATA

PERIPHERAL STENT	
Stent diameters:	9 - 12 mm
Stent lengths:	20 - 100 mm
Stent material:	Nickel titanium alloy (nitinol)
Strut surface coating:	Bio Inducer Surface
6 tantalum radiopaque markers	
DEVICE SPECIFICATIONS	
Over The Wire (OTW)	
Introducer sheath compatibility:	6F
Guidewire compatibility:	0.035"
Usable Catheter Length - UCL:	85 & 135 cm

Easy HiFlype

NITINOL SELF EXPANDING STENT FOR ILIAC VESSELS

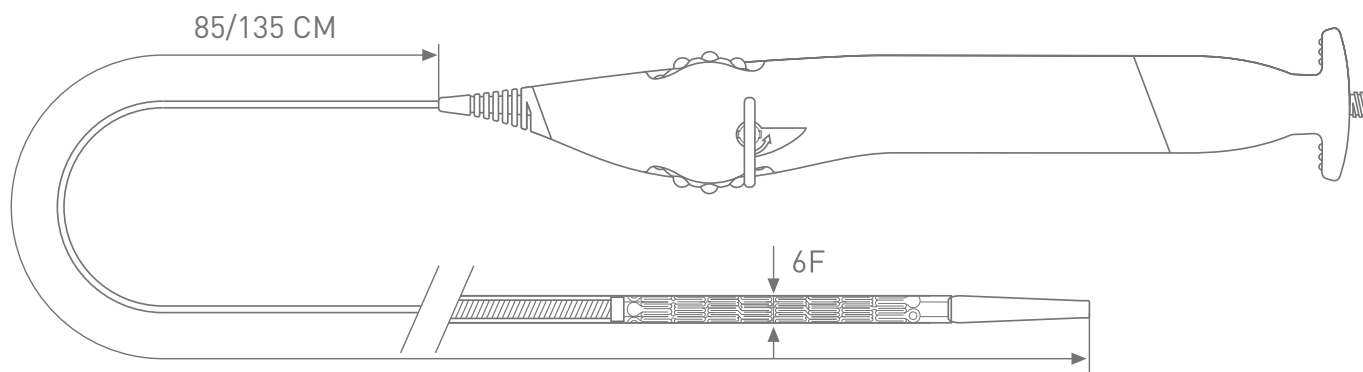
ORDER INFORMATION EASY HIFLYPE

USABLE CATHETER LENGTH 85 CM

∅ (mm) \ L (mm)	20	40	60	80	100
9.00	ICEF9020S	ICEF9040S	ICEF9060S	ICEF9080S	ICEF90100S
10.00	ICEF10020S	ICEF10040S	ICEF10060S	ICEF10080S	ICEF100100S
12.00		ICEF12040S	ICEF12060S	ICEF12080S	ICEF120100S

USABLE CATHETER LENGTH 135 CM

∅ (mm) \ L (mm)	20	40	60	80	100
9.00	ICEF9020L	ICEF9040L	ICEF9060L	ICEF9080L	ICEF90100L
10.00	ICEF10020L	ICEF10040L	ICEF10060L	ICEF10080L	ICEF100100L
12.00		ICEF12040L	ICEF12060L	ICEF12080L	ICEF120100L



www.alvimedica.com

Please contact your local sales representative for product availability.

Not for sale in the USA and Japan.

The images shown within this document are of a purely illustrative nature and are not intended to depict reality.

Please consult product labels and package inserts for indications, contraindications, hazards, warnings, cautions and instruction for use.

Manufactured by: CID S.p.a., Strada per Crescentino, sn - 13040 Saluggia (VC) Italy

©2018, Alvimedica. All Rights Reserved.