

Inperia Advance

CoCr BALLOON EXPANDABLE STENT FOR BTK INDICATIONS

Cobalt chromium coronary stent with Bio Inducer Surface technology allowing a complete and faster stent strut endothelialization, for the treatment of below-the-knee vessels.



- Proven bio and haemo-compatibility enabled by the Bio Inducer Surface coating, which accelerates the rate of endothelialization and reduces thrombogenicity



- Newly engineered stent struts improve blood flow dynamics



- Platinum markers at stent edges allow unmatched visualization and placement accuracy

TECHNICAL DATA

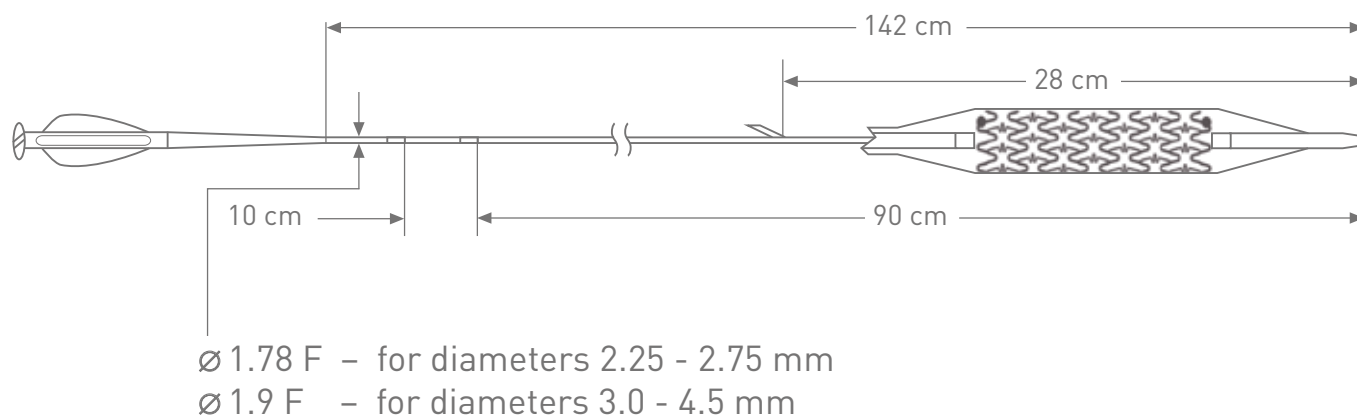
PERIPHERAL STENT	
Stent diameters:	2.25 - 4.50 mm
Stent lengths:	7 - 31 mm
Stent material:	L605 CoCr alloy
Strut thickness:	70 - 80 µm
Strut surface coating:	Bio Inducer Surface
2 platinum radiopaque markers at stent ends	
No stent foreshortening upon expansion	
DEVICE SPECIFICATIONS	
Rapid Exchange (RX)	
Introducer sheath compatibility:	4F
Guiding catheter compatibility:	5F
Guidewire compatibility:	0.014"
Usable Catheter Length - UCL:	142 cm
Nominal Pressure:	9 atm
Rated Burst Pressure:	18 atm

Inperia Advance

CoCr BALLOON EXPANDABLE STENT FOR BTK INDICATIONS

ORDER INFORMATION INPERIA ADVANCE

∅ (mm) \ L (mm)	7	8	12	16	20	24	25	31
2.25	ICIC22507		ICIC22512	ICIC22516	ICIC22520	ICIC22524		
2.50		ICIC2508	ICIC2512	ICIC2516	ICIC2520		ICIC2525	
2.75		ICIC27508	ICIC27512	ICIC27516	ICIC27520		ICIC27525	
3.00		ICIC3008	ICIC3012	ICIC3016	ICIC3020		ICIC3025	ICIC3031
3.50		ICIC3508	ICIC3512	ICIC3516	ICIC3520		ICIC3525	ICIC3531
4.00		ICIC4008	ICIC4012	ICIC4016	ICIC4020		ICIC4025	ICIC4031
4.50			ICIC4512	ICIC4516	ICIC4520		ICIC4525	ICIC4531



www.alvimedica.com

Please contact your local sales representative for product availability. Not for sale in the USA and Japan.

The images shown within this document are of a purely illustrative nature and are not intended to depict reality.

Please consult product labels and package inserts for indications, contraindications, hazards, warnings, cautions and instruction for use.

Manufactured by: CID S.p.a., Strada per Crescentino, sn - 13040 Saluggia (VC) Italy
 ©2018, Alvimedica. All Rights Reserved.