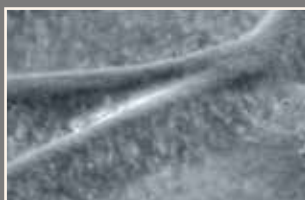
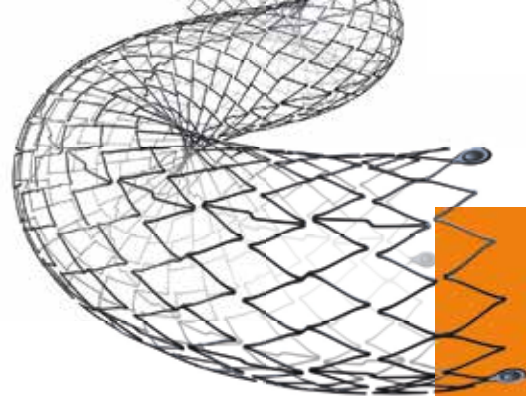


# Easy Flype

## NITINOL SELF EXPANDING STENT FOR SFA

Easy Flype is a dedicated self expanding stent with hybrid cell design maximizing flexibility and conformability in SFA.



- Proven bio and haemo-compatibility enabled by the Bio Inducer Surface coating, accelerating strut coverage, reducing thrombogenicity and sealing against heavy metal ions release



- Effective balance between flexibility (for optimal conformability) and radial force (for highly calcified vessels), available up to 150mm in length



- Superior track and high precision upon stent release provided by a unique single-hand delivery system

### TECHNICAL DATA

PERIPHERAL STENT	
Stent diameters:	6 - 8 mm
Stent lengths:	20 - 150 mm
Stent material:	Nickel titanium alloy (nitinol)
Strut surface coating:	Bio Inducer Surface
6 tantalum radiopaque markers	
DEVICE SPECIFICATIONS	
Over The Wire (OTW)	
Introducer sheath compatibility:	6F
Guidewire compatibility:	0.035"
Usable Catheter Length - UCL:	85 & 135 cm

# Easy Flype

NITINOL SELF EXPANDING STENT FOR SFA

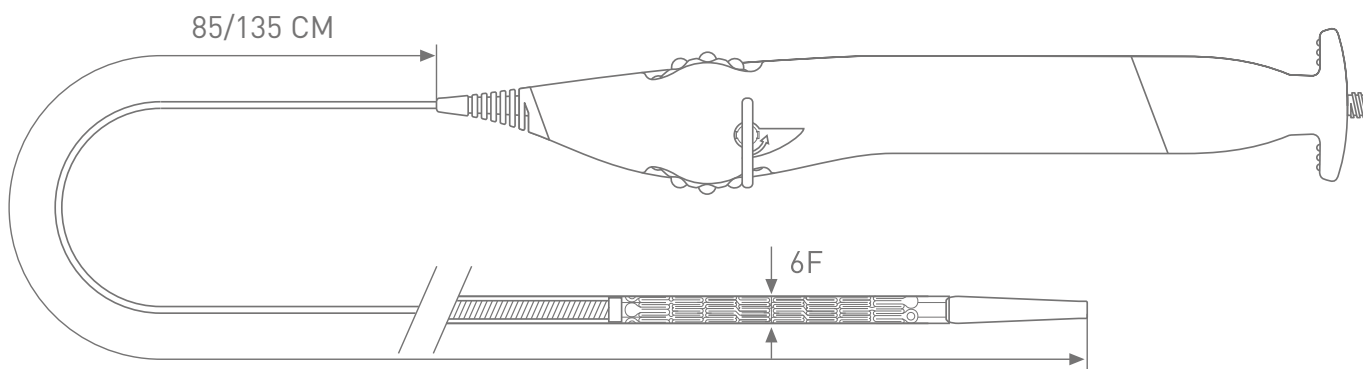
## ORDER INFORMATION EASY FLYPE

### USABLE CATHETER LENGTH 85 CM

∅ (mm) \ L (mm)	20	40	60	80	100	120	150
6.00	ICEF6020S	ICEF6040S	ICEF6060S	ICEF6080S	ICEF60100S	ICEF60120S	ICEF60150S
7.00	ICEF7020S	ICEF7040S	ICEF7060S	ICEF7080S	ICEF70100S	ICEF70120S	ICEF70150S
8.00	ICEF8020S	ICEF8040S	ICEF8060S	ICEF8080S	ICEF80100S	ICEF80120S	ICEF80150S

### USABLE CATHETER LENGTH 135 CM

∅ (mm) \ L (mm)	20	40	60	80	100	120	150
6.00	ICEF6020L	ICEF6040L	ICEF6060L	ICEF6080L	ICEF60100L	ICEF60120L	ICEF60150L
7.00	ICEF7020L	ICEF7040L	ICEF7060L	ICEF7080L	ICEF70100L	ICEF70120L	ICEF70150L
8.00	ICEF8020L	ICEF8040L	ICEF8060L	ICEF8080L	ICEF80100L	ICEF80120L	ICEF80150L



[www.alvimedica.com](http://www.alvimedica.com)

Please contact your local sales representative for product availability. Not for sale in the USA and Japan.

The images shown within this document are of a purely illustrative nature and are not intended to depict reality.

Please consult product labels and package inserts for indications, contraindications, hazards, warnings, cautions and instruction for use.

Manufactured by: CID S.p.a., Strada per Crescentino, sn - 13040 Saluggia (VC) Italy

©2018, Alvimedica. All Rights Reserved.